



Highway Rubber
& SAFETY INC.

422, Côte Sud, Boisbriand, (Qc), Canada, J7E 4H5
www.asrcanada.ca • info@asrcanada.ca
Tel.: 1 800 361-1700 • Fax : 1 800 327-

3 handles :
facilitate
transport!

 **Easy U Base™**
Recycled rubber
base to stabilize the panel



100%
recyclable

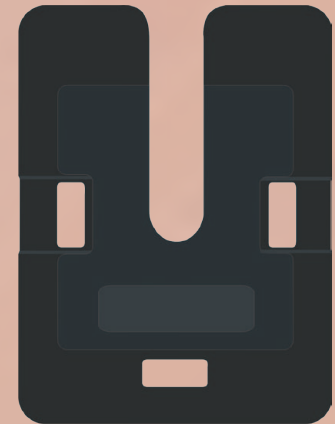


Technicals datas

Features and benefits of the EasyUBase™

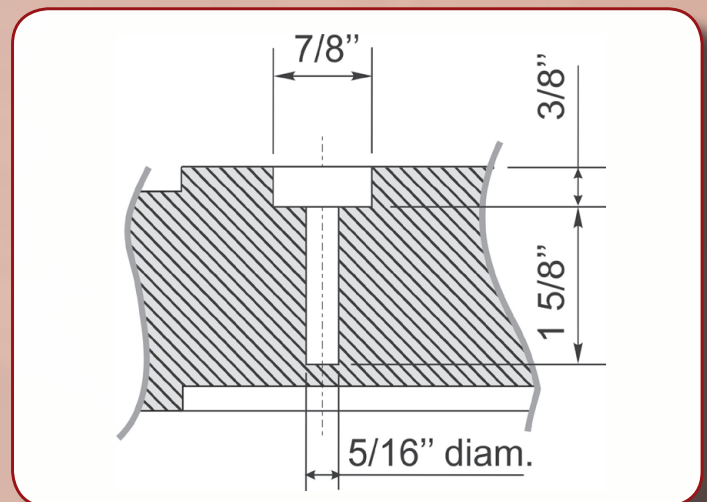
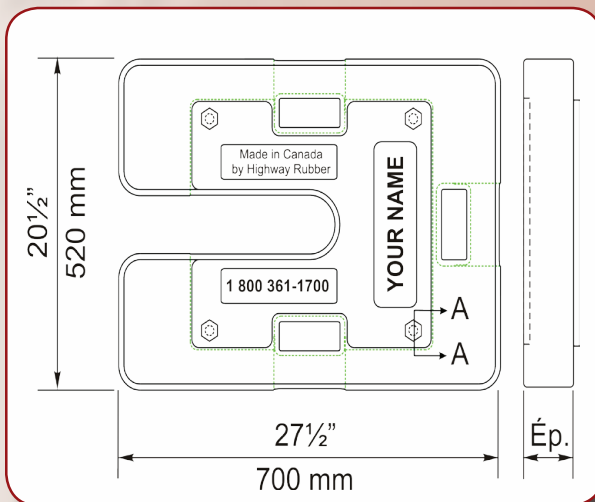
3 Handles : FACILITATE TRANSPORT

- Resist :**
- To chocks
 - To mold
 - To U.V. rays
- Safe for vehicles
 - Low profile for stability
 - Stackable and easy to use
 - Reduced maintenance costs
 - Much lighter than concrete
 - Can be install by one person
 - Made from 100% recycled rubber
 - **Pre-drilled holes** for steel plate bolts (if required)



Technical specifications of the EasyUBase™

Model ordered	Model Reference	Dimensions (thickness)	Weight (lb)		Weight (Kg)		Quantities (per skid)
			Per unit	Per skid	Per unit	Per skid	
600	B30	2 1/2"	30	2400	13.6	1091	80
602	B40	3"	40	2400	18.2	1091	60
604	B50	3 1/2"	50	2500	22.7	1136	50



Fixture details (Section A-A)